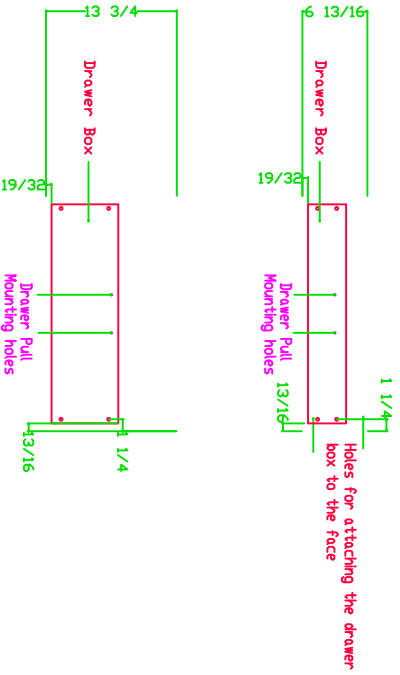


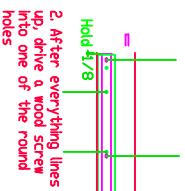
Attaching Drawer Front

Attach drawer front using the supplied 1" long washer head screw. Do not use a power drill or power screw driver. Use a manual screwdriver. Do not fully tighten the face to the box. You will need to adjust the face for proper alignment once the drawers are installed.



Mounting Slide To Drawer Box

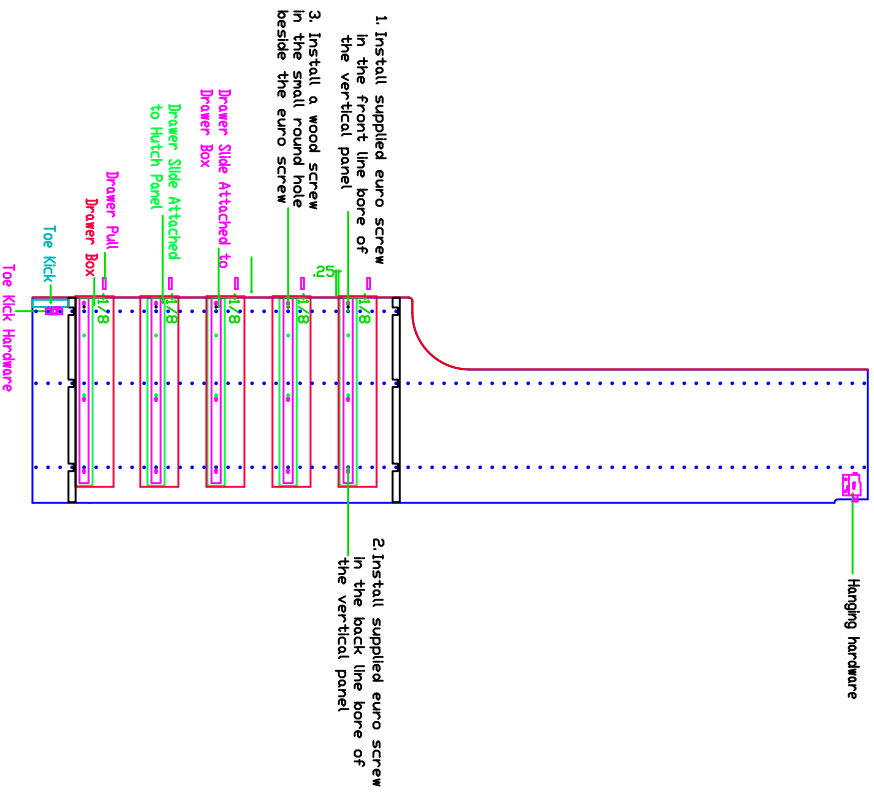
1. Fasten slide to the drawer box through the three oval cutouts using supplied wood screws



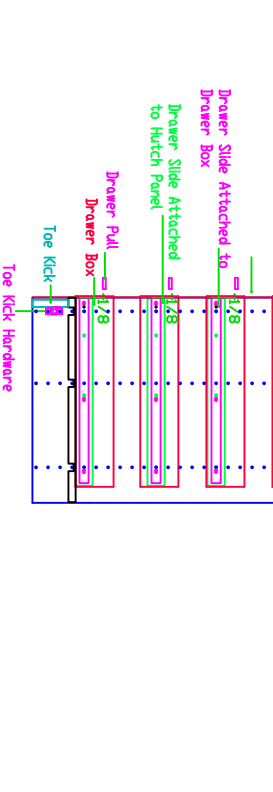
2. After everything lines up, drive a wood screw into one of the round holes

Refer to chart

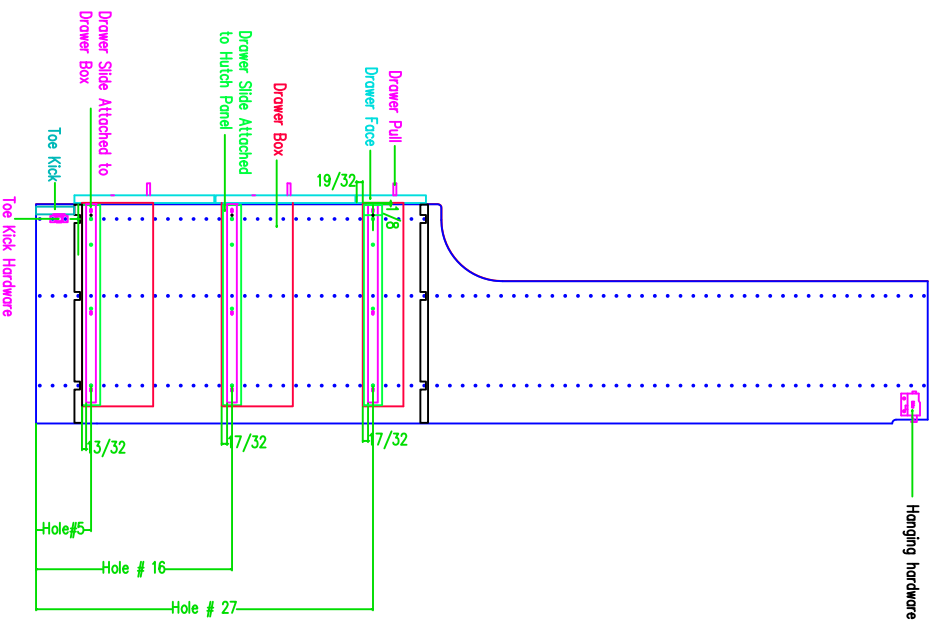
Attaching Slide To Vertical Panel



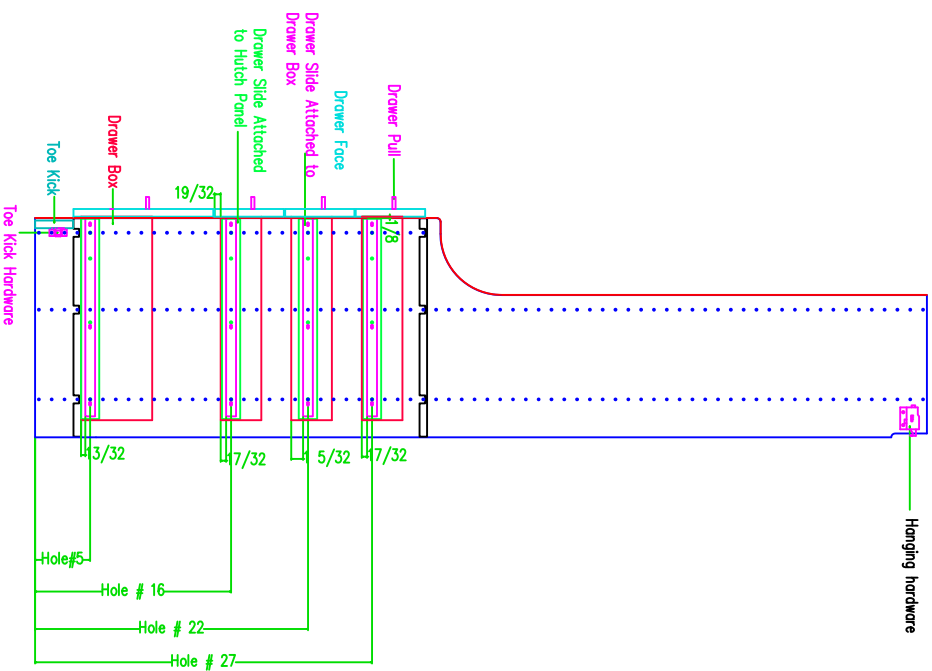
1. Install supplied euro screw in the front line bore of the vertical panel
2. Install supplied euro screw in the back line bore of the vertical panel
3. Install a wood screw in the small round hole beside the euro screw



Three Drawer



Four Drawer



Five Drawer

