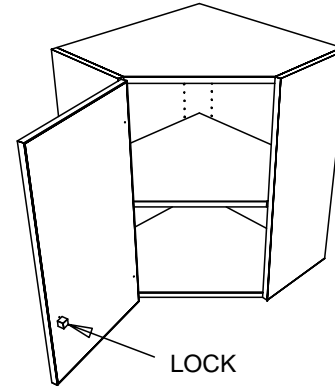
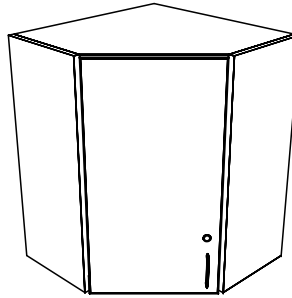
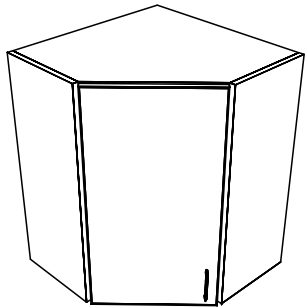


*LIGHT RAILS SHIP LOOSE IN 8' LENGTHS. TRIMMED TO LENGTH AND INSTALLED IN FIELD.



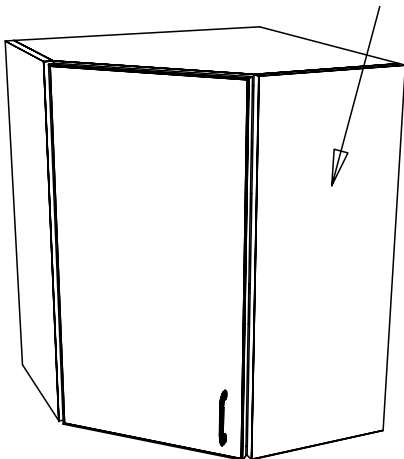
TYPICAL SPECIFICATIONS:

MIN WIDTH - 24"
MAX WIDTH - 30"

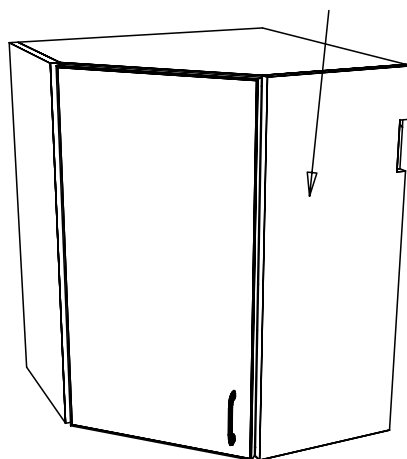
MIN HEIGHT - 12"
MAX HEIGHT - 48"

MIN DEPTH - 24"
MAX DEPTH - 30"

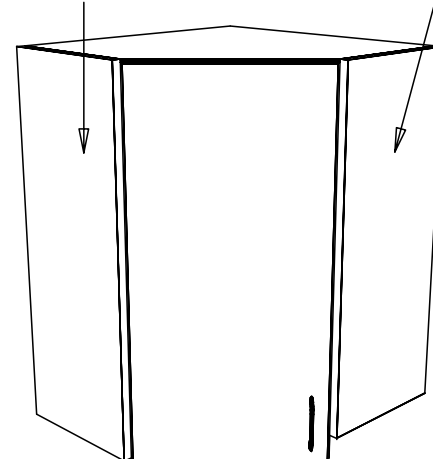
FINISHED END TYP.



HANGING RAIL UNFINISHED END TYP.



LITE RAIL FINISHED END



LITE RAIL UNFINISHED END